

SMD Type Crystal Resonators

DSX840GA, DSX840GAB



Actual size

■ Features

- SMD crystal resonator with size 8045 and thickness 1.4mm.
- High precision and reliability with excellent heat resistance.
- DSX840GAB is available at high frequency of fundamental mode by adopting BT-cut.
- Suitable for various applications, particularly digital AV equipment.

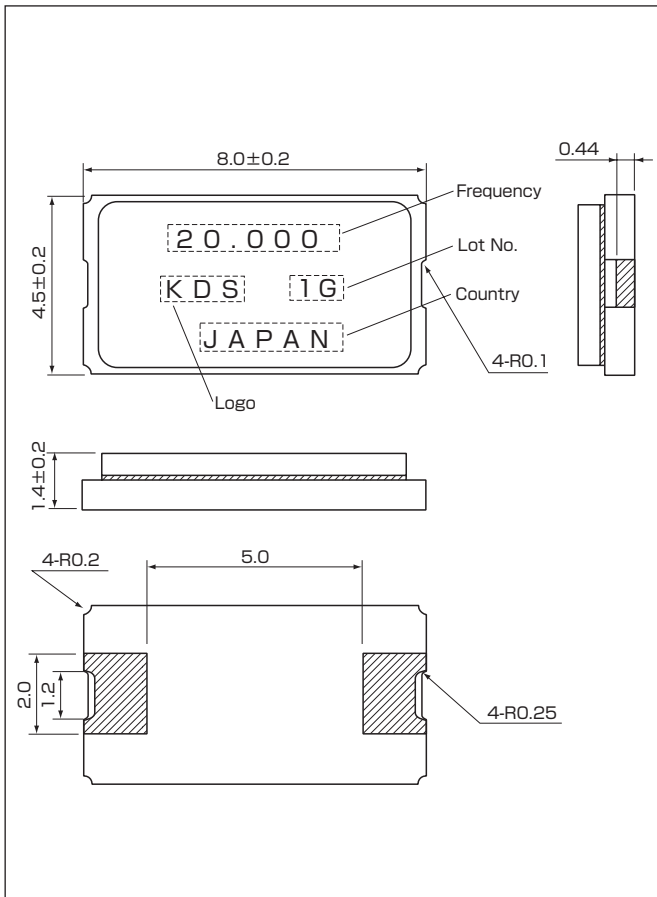
■ Generic Specification

Item	Type	DSX840GA				DSX840GAB
		8~10MHz	10~12MHz	12~50MHz	40~80MHz	40~60MHz
Frequency Range		8~10MHz	10~12MHz	12~50MHz	40~80MHz	40~60MHz
Vibration Mode		Fundamental			3rd overtone	Fundamental
Load Capacitance		Series, 8pF, 10pF, 12pF			Series	Series, 8pF, 10pF, 12pF
Drive Level		10μW (100μW max.)	10μW (300μW max.)		10μW (500μW max.)	10μW (300μW max.)
Frequency Tolerance		±30×10 ⁻⁶ , ±50×10 ⁻⁶ , ±100×10 ⁻⁶ (at 25°C)				
Series Resistance		150Ωmax.	80Ωmax.	50Ωmax.	70Ωmax.	50Ωmax.
Frequency Characteristics over Temperature		±30×10 ⁻⁶ / -10~+60°C (Ref. to 25°C)				±100×10 ⁻⁶ / -10~+60°C (Ref. to 25°C)
		±50×10 ⁻⁶ / -20~+70°C (Ref. to 25°C)				
		±100×10 ⁻⁶ / -30~+80°C (Ref. to 25°C)				
Storage Temperature Range		-40~+85°C				

Packing Unit : 1000pcs./reel (φ 250)

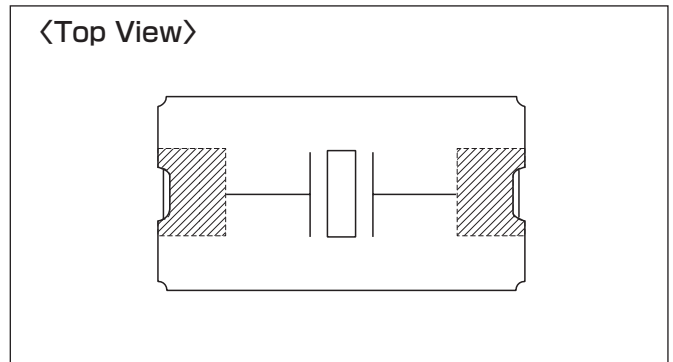
Consult our sales representative for other specifications.
Refer to page 37 for standard specification.

■ Dimensions [mm]



■ Internal Connections

<Top View>



■ Recommended Land Pattern [mm]

